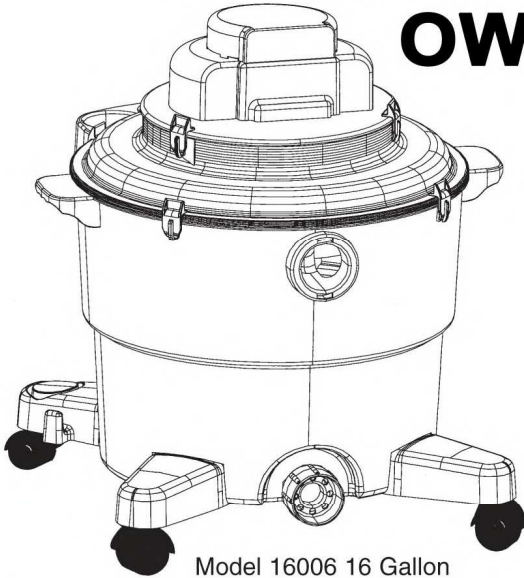


# Dustless<sup>®</sup>

TECHNOLOGIES

## DUSTLESS<sup>®</sup> HEPA VACUUM OWNER'S MANUAL



Model 16006 16 Gallon

**CONGRATULATIONS:** You are now the owner of a Dustless<sup>®</sup> HEPA Vacuum which incorporates the latest advancements in HEPA technology. This vacuum is different from anything in its category.

*Once again **CONGRATULATIONS***

*This cleaner was inspected and packaged carefully before being shipped from the factory. If you should happen to need assistance during assembly or operation, call 1-800-568-3949 for our customer service department.*

Serial Number \_\_\_\_\_

Model Number \_\_\_\_\_

Model and serial numbers are found on the side of the motor cover. You should record both model and serial numbers in a safe place for future use.

### **3 Year Limited Warranty**

At LOVE-LESS ASH / DUSTLESS TECHNOLOGIES<sup>®</sup> we stand behind what we build. We warranty this product; to the original retail purchaser; against defects in materials or workmanship for a period of (3) three years after date of purchase.

This limited warranty does not cover claims resulting from  
(I) misuse (II) neglect (III) modification (IV) failure to follow instructions.

#### **Your Warranty Card**

Please, fill out your warranty card online at [www.dustlesstools.com](http://www.dustlesstools.com)

If you do not have an internet connection

there is a warranty card included with your owner's manual.

Please, fill out your warranty cards within 90 days of purchase!

#### **Warranty Claims**

For warranty or returns with any of our products, please contact your place of purchase. Technical support is available at (800) 568-3949 or send an email to [sales@dustlesstools.com](mailto:sales@dustlesstools.com)

# IMPORTANT SAFETY INSTRUCTIONS IMPORTANTES MESURES DE SECURITE IMPORTANTE PARA SU SEGURIDAD

## SAVE THESE INSTRUCTIONS

## CONSERVER CES INSTRUCTIONS

## GUARDAR ESTA INSTRUCCIONES

- Read the Owner's Manual completely before attempting to operate this unit.
- Always check the filters before each use.

**WARNING** – To avoid risk of electrical shock, do not use outdoors or on wet surfaces.

**AVERTISSEMENT** – Pour réduire les risques de choc électrique, ne pas utiliser à l'extérieur et ne pas aspirer de matières humides.

**ADVERTENCIA** – Para reducir el riesgo de un electrochoque, no usarlo afuera o mojado.

- Connect to a properly grounded outlet. See grounding instructions.
- Don't change filters, clean the unit, or empty the canister until the plug has been disconnected from the electrical outlet. Always unplug unit when not in use and before servicing.

## WARNING – To reduce the risk of burns, fire, electric shock, or personal injury:

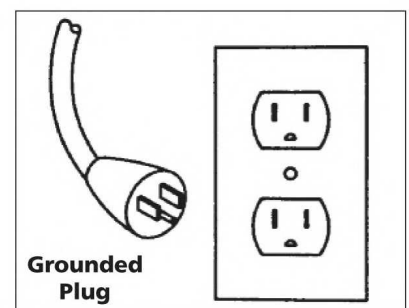
- Do not allow this unit to be used as a toy or to run unattended at any time. Keep children away from this unit.
- Do not use accessories except those recommended and provided by Dustless Technologies. Use this unit only for its intended use as described in this manual. Use of accessories not recommended by the manufacturer may cause fire, electric shock, or injury. (See *parts list*)
- Do not operate this unit in an enclosed space where flammable, explosive or toxic vapors are given off by oil-base paint, paint thinner, gasoline, etc.
- To avoid the igniting of vapors or dust due to the arcing of the motor brushes, do not pick up flammable or readily combustible material.
- Do not expose your HEPA Vacuum to excessive heat as damage to your vacuum may occur and the 1 year warranty will be null and void.
- Do not pick up anything that is burning or smoking, such as cigarettes, matches, or hot ashes/Not intended for ash removal
- Do not use without HEPA filter in place.
- Do not pull unit by the suction hose.
- Do not abuse cord. Never carry your HEPA Vacuum by the cord or pull cord to disconnect it from the outlet. Grasp the plug, not the cord.
- Do not leave the cord lying on the floor once you have finished the cleaning job. It can become a tripping hazard.
- Never handle plug, cord, or cleaner with wet hands.
- Never drop or insert any objects into any openings. Do not use with any opening blocked; keep free of dust, lint, hair, and anything that may reduce air flow.
- Keep cord away from heat, oil and sharp edges. Do not close doors on the cord or snag it under furniture or pull around corners with sharp edges.
- The operation of a HEPA Vacuum can result in foreign objects being blown into your eyes, which can result in eye damage. Always wear safety goggles when operating this vacuum.
- Use special care when emptying heavily loaded canisters.
- Do not use on wet surfaces. Do not leave appliance when plugged in. Unplug from outlet when not in use and before servicing. Do not use with damaged cord or plug if appliance is not working as it should, has been dropped, damaged, left outdoors, or dropped into water.
- Wear ear protection if operating cleaner for a prolonged period of time.
- Caution-Motor cooling air is not filtered-there may be carbon dust emitted from the brushes.
- If the HEPA Filter becomes wet during operation, it may need to be replaced.

## GROUNDING INSTRUCTIONS:

This appliance must be grounded. If it should malfunction or breakdown, grounding provides a path of least resistance for electric current to reduce the risk of electric shock. This appliance is equipped with a cord having an equipment - grounding conductor and grounding plug. The plug must be inserted into an appropriate outlet that is properly installed and grounded in accordance with all local codes and ordinances.

**DANGER** - Improper connection of the equipment grounding conductor can result in a risk of electric shock. Check with a qualified electrician or service person if you are in doubt as to whether the outlet is properly grounded. Do not modify the plug provided with the appliance.

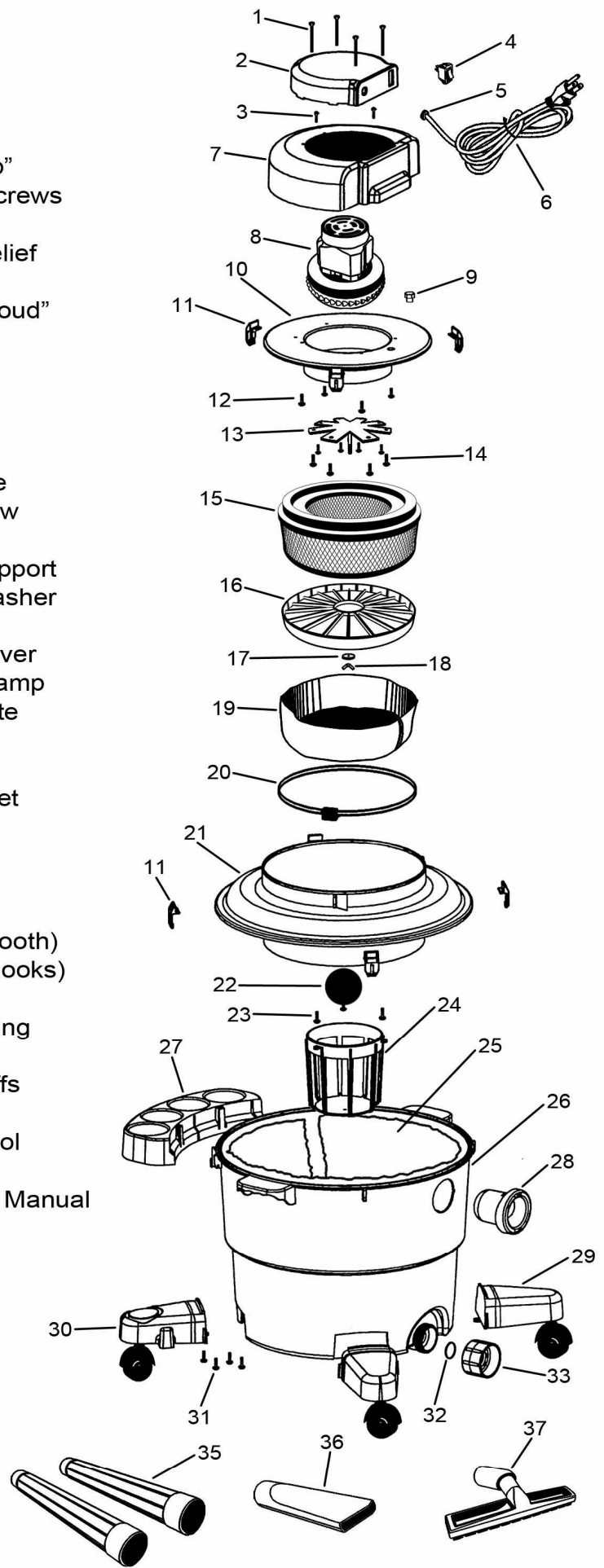
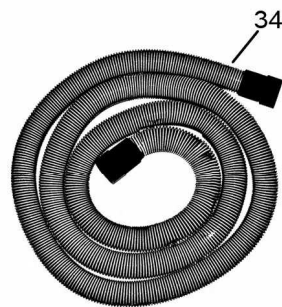
NOTE: Static shocks are common in dry areas or when the relative humidity of the air is low. This is only temporary and does not affect the use of the HEPA Vacuum.





# Parts List / Carton Contents

#	Part No.	Qty.	Description
1	91574	4	Black Screws
2	01154	1	Quiet Part "Cap"
3	91553	2	Self Tapping Screws
4	91423	1	Motor Switch
5	91443	1	Black Strain Relief
6	11431	1	WD Cordset
7	01204	1	Quiet Part "Shroud"
8	11301	1	WD Motor
9	04534	1	Brass Plug
10	11121	1	WD Lid
11	12551	7	WD Clips
12	91564	4	Black Screws
13	13200	1	HV Cross Piece
14	91554	8	Pan Head Screw
15	13201	1	HEPA Filter
16	13311	1	Filter Cover Support
17	91522	1	HEPA Filter Washer
18	94521	1	Wingnut
19	13301	1	HEPA Filter Cover
20	93141	1	HEPA Hose Clamp
21	15001	1	WD Intermediate
22	15121	1	Float Ball
23	91533	3	Black Screws
24	15111	1	Float Ball Basket
25	13131	1	Wunderbag
26	12101	1	WD Barrel
27	12501	1	Tool Tray
28	12111	1	WD Port
29	12361 F	2	Front Legs (smooth)
30	12361 B	2	Back Legs (w/hooks)
31	91553	4	Black Screws
32	12131	1	Drain Cap O-Ring
33	12141	1	Drain Cap
34	14251	1	12' Hose w/Cuffs
35	14131	2	WD Wands
36	14121	1	WD Crevice Tool
37	14110	1	WD Floor Tool
38	18506	1	HEPA Owner's Manual (not illustrated)
39	18511	1	Warranty Card (not illustrated)

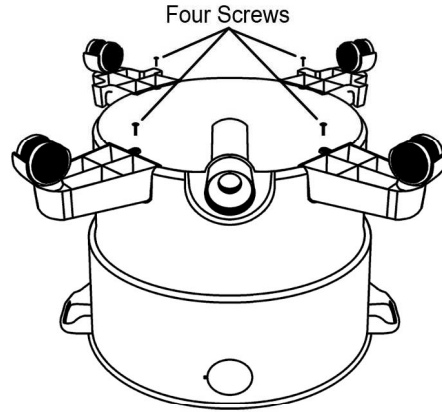
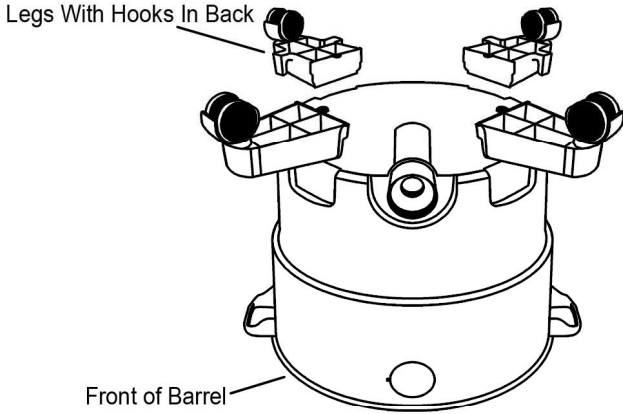


# SETUP

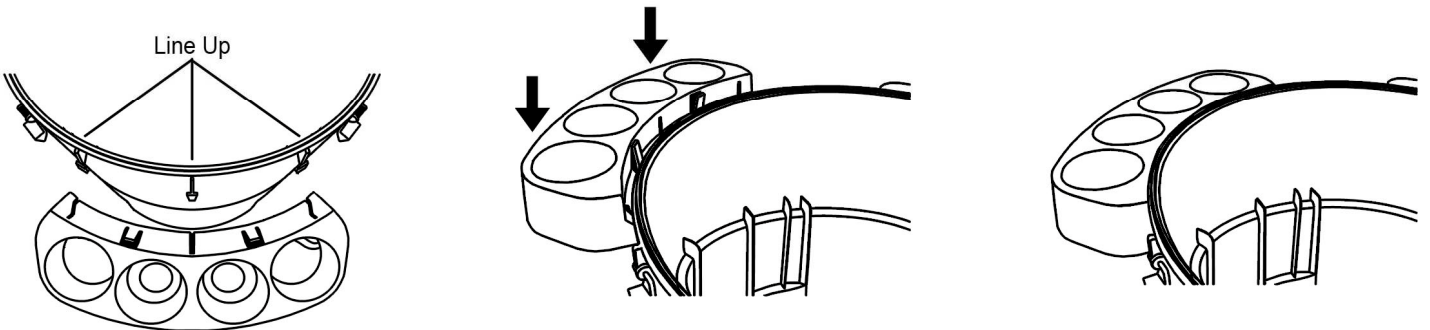
## 1. Unpack and Check Carton Contents:

Remove entire contents of carton. Check each item against the Carton Contents List (pg. 3) Notify Dustless Technologies® immediately if any parts are damaged or missing.

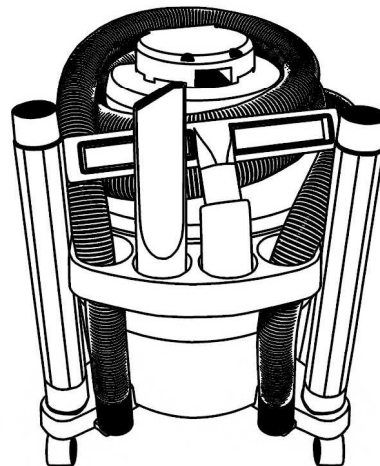
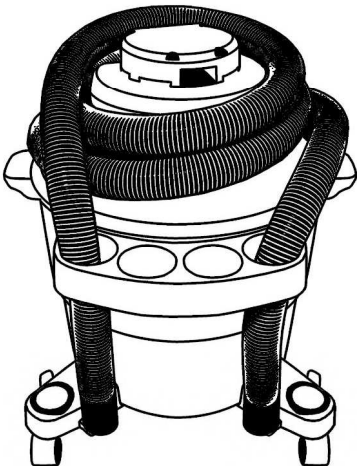
## 2. Assemble Legs:



## 3. Attach Tool Tray:



## 4. Store hose and Attachments:



# HOW TO USE

## To Use Accessories:

Push hose into tank port; twist hose to tighten or loosen connection. The wands and tools attach to the hose in the same manner.

The on/off switch is located on the side of the motor cover.

## Extension Cord Instructions:

Use an outdoor, grounding type SJT extension cord of 16 gauge (up to 35 feet) or 14 gauge (any length). The extension cord must employ a 3-prong grounding type plug and a 3-pole receptacle that accepts the machine plug.

## Filters:

Do not operate cleaner without HEPA filters in place.

To protect the HEPA filter it is recommended that the vacuum be used with WunderBag part number 13141 and HEPA filter cover part number 13301

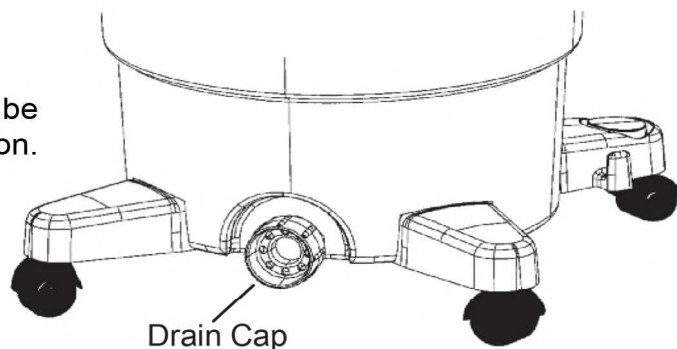
All filters should be discarded after use, no attempt to clean filters should be made.

To assure that your cleaner operates at peak performance, it is imperative that you use only genuine DUSTLESS TECHNOLOGIES® filters.

## After Wet Pickup:

Open drain cap at bottom of tank. Loosen or tighten to control flow. The suction hose can be put in the drain cap to drain liquid to an extended location.

Rinse inside of tank thoroughly with clean water. Wipe inside of tank dry. Screw drain cap back on tightly so it is ready for use again.



## Automatic Wet Shut-off:

When the tank is full of liquid, the automatic shut-off mechanism will shut off air flow. When this happens, the motor sound will become noticeably higher in pitch. Turn cleaner off and empty tank to continue use.

## Storage:

Disconnect cleaner from electrical outlet. Empty tank. Rinse inside of tank thoroughly with clean water particularly if spills or other liquid substances other than plain water have been picked up. Wipe inside of tank dry. If tank is stored with liquid left inside, the moisture may cause damage to the motor and its internal parts.

Wands and tools as well as hose store right on the tool tray. Wands store on each of the back legs in the circular grooves provided.

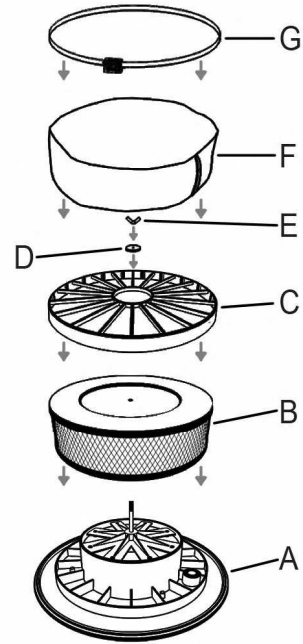


# Maintenance

## HEPA Filter Reinstallation:

Description	Part #
A- WD Lid	11121
B- HEPA Filter	13201
C- Filter Cover Support	13311
D- HEPA Filter Washer	91522
E- Wingnut	94521
F- HEPA Filter Cover	13301
G- HEPA Hose Clamp	93141

The rubber gasket on the bottom of the HEPA filter rests on a rib of the lid. The hose clamp is tightened with the band over the solid metal base and should never be tightened on the expanded metal.



## Changing WunderBags:

Disconnect the cleaner from electrical outlet.

Release lid clips and remove motor lid assembly and intermediate cover from tank. Dispose of used Wunderbag and contents into a suitable receptacle.

To avoid back strain, do not lift a full tank.

New WunderBags are installed correctly when the cardboard collar with the rubber gasket is securely fitted over the intake port on the inside of the barrel.

## Lubrication:

The motor is equipped with bearings which contain sufficient lubrication for the life of the motor. The addition of lubricant could cause damage. Do not add lubricant to motor bearings.

## If you have a problem:

This appliance was inspected thoroughly and was in good operating condition when it was shipped from the factory. If a minor problem occurs, it usually can be solved quite easily when the cause is found. Therefore, a Frequently Asked Questions Guide is provided for your convenience (pg. 7).

## Service:

To obtain approved Dustless® service and parts,  
call: 1-800-568-3949

Please reference: Part Number, Description, Model Number,  
Name of Unit.

Phone (435) 637-5885 Fax 208-567-6706 [www.dustlesstechnologies.com](http://www.dustlesstechnologies.com)

## FREQUENTLY ASKED QUESTIONS

### Question

### Answer

Do we have bigger vacuums other than the 16 gallon wet/dry vacuum?

Yes, our Pro Series line up offers 20, 30 & 50 gallon vacuums.

How long should the HEPA filter last?

With a WunderBag - 5-6 months, of normal use, that's 1000 lbs of dust or 30 WunderBags. without the WunderBag only 1 month.

Do we sell filters direct?

No, but we can help you find a distributor near you or see our distributor locator online.

Will the Dustless® HEPA filter meet the current EPA & OSHA guidelines for asbestos removal and mold removal?

Yes

Why does the WunderBag say "do not use for toxic materials including lead"

The WunderBag must be used in line with a Dustless® HEPA filter to guarantee proper filtration.

My vacuum is plugged in but won't run. Why?

The vacuum may not be firmly plugged in. House fuse/breaker could have blown or tripped.

My vacuum has lost suction. Why?

Check for and clear any obstruction in the hose or attachments.  
Filters could be coated and should be replaced.  
The brass plug in the lid may need tightening.  
The hose may have split and needs to be replaced.  
The WunderBag may be saturated and need to be replaced.  
The vacuum needs to be in the upright position.  
The drain cap may be open.

My filter is getting wet. Why?

Make sure the drain cap is clean, has an O-ring and is screwed on tight.  
Empty any debris from the tank before use.

My vacuum is blowing dust. Why?

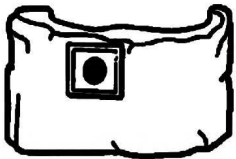
Check the HEPA filter for holes and that it is in place and tight.  
WunderBag may not be in place.

**WARNING!** - Vacuumed up combustible materials can heat up and ignite in the vacuum spontaneously or by an outside source. If you are vacuuming up combustible materials, check the vacuum regularly and empty at the end of every day. Do not leave the vacuum unattended.

**WARNING!** - If using this product in the removal of lead paint, a HEPA vacuum must be used. The removal of old paint may generate dust fumes that contain lead. Exposure to lead may cause brain damage or other adverse health effects, especially in young children and pregnant woman. Follow all federal, state and local laws including the U.S. Environmental Protection Agency's Renovation, Repair and painting law or similar state law.

# ACCESSORIES & OTHER PRODUCTS AVAILABLE

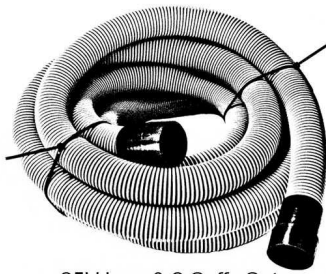
(not to scale)



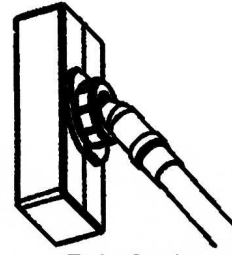
WunderBag  
(Micro-Pre-filter)  
#13141 set of 2



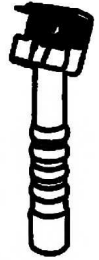
HEPA Filter  
#13201 for  
#16006 & 16011  
HEPA Vacuum only



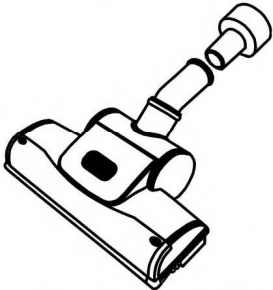
25' Hose & 2 Cuffs Set  
#14291



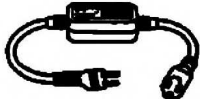
Turbo Sander  
#50001  
drywall sanding



ChipBuddie  
#61001  
paint scraping



Beater Bar Floor Tool  
#13242



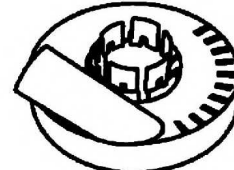
Vac Pod / Tool Pod  
#D5254  
auto start



Wire Brush Tool  
#14112



Round Wire Brush  
#14113



Dustie  
#D1858  
"DIY" flat grinding



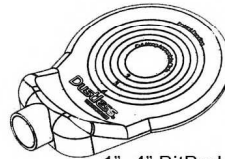
DustBuddie  
#D1835  
professional flat grinding



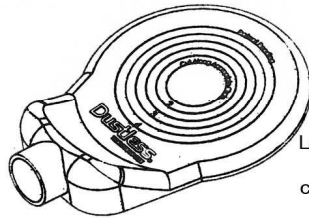
Reciprocating  
Saw Shroud  
#D2415



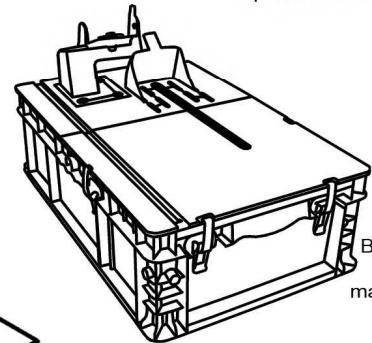
1 3/8" BitBuddie  
#D1900



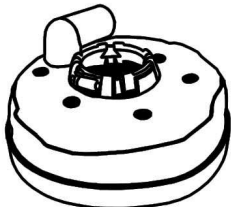
1"- 4" BitBuddie  
#D1905



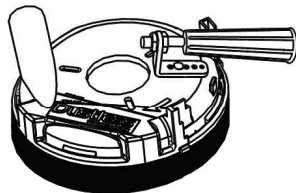
Large BitBuddie  
#D1908  
concrete drilling  
(dry or slurry)



BrickBuddie  
#D2100  
masonry & tile



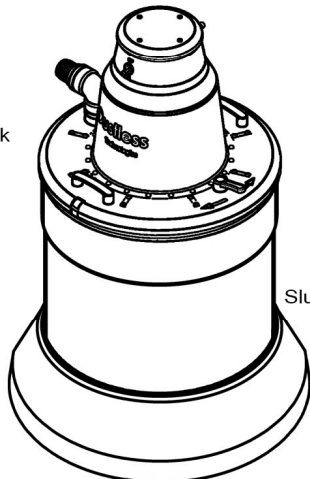
DustHoodie  
#D1860.1  
floor grinding



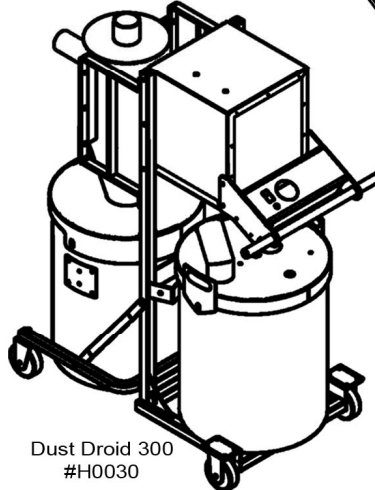
DiscBuddie  
#D1000  
paint sanding  
(malita GV5000)



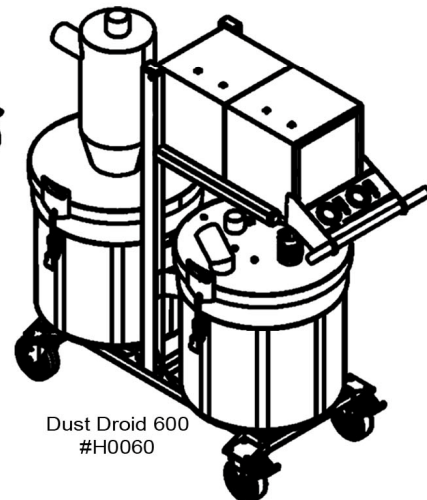
HEPA Pack  
#15505



Slurry Vacuum  
#H0034



Dust Droid 300  
#H0030



Dust Droid 600  
#H0060