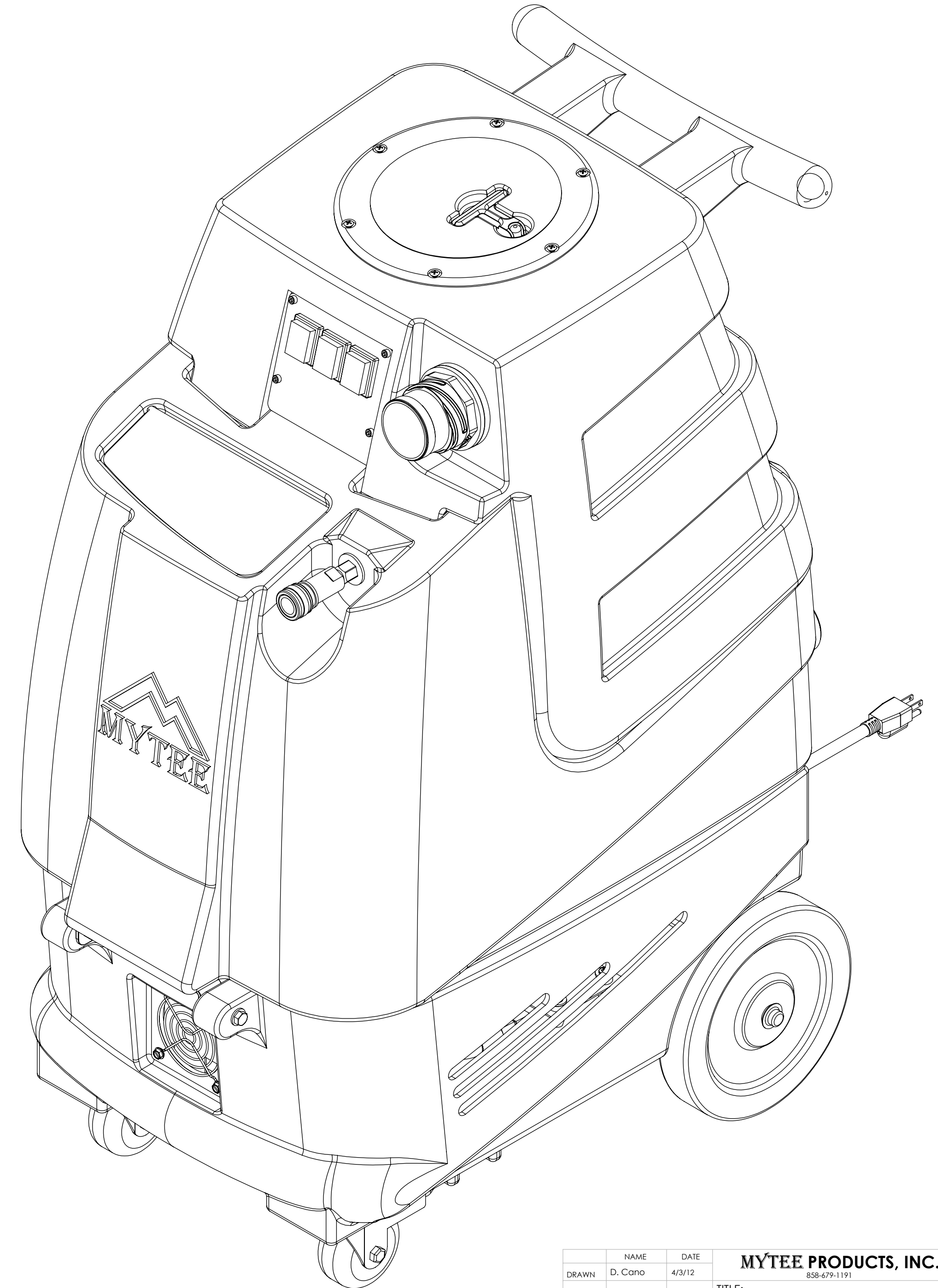


ITEM NO.	PART NO.	DESCRIPTION	QTY.	MSRP
1	H273	nut, kep, #10-32 zinc	6	\$0.99 ea
2	H230	screw, 10-32 x 1/2" phil pan head, s/s	2	\$0.99 ea
3	H528	bracket, heater mounting, dual	1	\$29.99 ea
4	H141	Cuff-Lynx, 2" to 1.5" reducer	2	\$3.99 ea
5	H274	screw, #6 x 3/16, phil pan head, self-tapping	10	\$0.99 ea
6	E574	Thermostat, 310°F ± 10°F, Manual, 1/4"	2	\$17.99 ea
7	E573	Thermostat, 200°, Auto, 1/4"	2	\$16.49 ea
8	H903A	heater, aluminum cast, single	2	\$78.99 ea
9	B103	elbow, brass, 90 deg, 1/4"mpt x 1/4" fpt	5	\$4.49 ea
10	AH108S	sol hose, 1/4" x 24 1/2", (OAL), f x fsw, 3000psi	1	\$26.49 ea
11	AH156	hose, 3/8" x 6.5", (OAL), f x fsw, 5400 Gray	1	\$23.99 ea
12	B207	elbow, brass, 90 deg, 1/4" fpt x 1/4" fpt	1	\$5.99 ea
13	B108	valve, brass, 1/4" check	1	\$13.99 ea
14	AH103	hose, 3/8" x 10", (OAL), f x fsw, surge, 1600psi	1	\$30.49 ea
15	B136	elbow, brass, 90 deg, 1/4" mpt x 1/4" mpt	1	\$4.99 ea
16	B105	bushing, brass, 3/8"mpt x 1/4"	1	\$3.19 ea
17	C305	pump, 120 psi, 115V	1	\$151.99 ea
18	B172	elbow, brass, 90 deg, 1/2" barb x 3/8"mpt	1	\$9.49 ea
19	PH615	sol hose, 1/2" kuri 100psi	1	\$8.99 ea
20	H347	clamp, hose, 5/16-29/32	4	\$1.99 ea
21	B160	adapter, brass, 1/2" barb x 3/8" fsw, ball end	1	\$3.49 ea
22	H343	screw, #10 x 5/8" hex head, zinc	8	\$0.99 ea
23	H201	bolt, 1/4-20 x 1/2", hex head, zinc	2	\$0.99 ea
24	H222	screw, 10-32 x 1-1/4" phil pan head, s/s	4	\$0.99 ea
25	H210	washer, 1/4" flat, s/s	16	\$0.99 ea
26	H667	caster, 3", Black Hub, Gray Tread	2	\$14.99 ea
27	H342	bolt, 1/4-20 x 1" hex head, s/s	8	\$0.99 ea
28	H216	nut, lock, 1/4-20, nylon insert, s/s	10	\$0.99 ea
29	H296	guard, cooling fan, wire	2	\$2.99 ea
30	P756	base, firebird	1	\$147.99
31	H221	nut, lock, 1/2" steel	1	\$1.99 ea
32	H220	fiting, strain relief, cord	1	\$3.19 ea
33	E531	power cord, end, 25', 12/3 black	1	\$52.99 ea
34	H254	washer, axle, cut 1/2" id	4	\$0.99 ea
35	H224	axle, 17.35" x .50" dia, fb	1	\$9.99 ea
36	H239	wheel, 8"	2	\$28.99 ea
37	H219	cap, axle, 1/2"	2	\$0.99 ea
38	P757	sol tank, firebird	1	\$149.99 ea
39	G061	cover, sol tank, fb	1	\$12.99 ea
40	H215	nut, hex, 1/4-20, s/s	2	\$0.99 ea
41	H213	washer, 1/4" lock, s/s	4	\$0.99 ea
42	H211	washer, 1/4" id x 1" od, flat, s/s	4	\$0.99 ea
43	G052	washer, buna 1-1/8" od x 3/16" id	4	\$1.99 ea
44	H203	bolt, 1/4-20 x 1-1/4"	2	\$0.99 ea
45	H316	bolt, 1/4x1-1/2", hex head zinc	2	\$0.99 ea
46	H378	bracket, front hinge, sp/fb	1	\$8.99 ea
47	B119A	filter, strainer, 1/2"	1	\$6.49 ea
48	B210	bushing, brass, 1/2"mpt x 3/8" fpt, hex	1	\$2.49 ea
49	H299	washer, 1 1/16" id x 1-1/2" od x .075, s/s	4	\$0.99 ea
50	B216	nipple, brass, 3/8" x close	1	\$1.99 ea
51	B186	elbow, brass, 90 deg, 3/8"mpt x 3/8" fmpt	1	\$8.99 ea
52	B102	qd, brass, 1/4" f	1	\$17.99 ea
53	B111	adapter, brass, extender, 1/4" mpt x 1/4" fpt, hex	1	\$3.49 ea
54	H212	flat washer, 9/16" ID x 1 1/16" OD, AN960-C916	4	\$0.99 ea
55	H413	washer, nylon, 9/16" id x 1-1/16" od x .031	2	\$0.99 ea
56	B107	nipple, brass, 1/4"m, hex	2	\$3.19 ea
57	AH105	hose, 3/8" x 17-1/2", (OAL), f x fsw, surge, 1600psi	1	\$31.99 ea
58	H020	nut, lock, 2", steel	1	\$4.99 ea
59	H194	coupler, 2" dia x 2.5" length, s/s	1	\$10.00 ea
60	H135	Cuff-Lynx, 2" m cuff x 2" mpt	2	\$3.99 ea
61	H770	bolt, 1/4-20 x 1/2" serrated hex flange, zinc	11	\$0.99 ea
62	H912	bracket, rear, fb/spy	1	\$9.99 ea
63	H326	plate, switch, hp100/2001CS	1	\$6.99 ea
64	E515	switch, rocker, 2 position	3	\$13.99 ea
65	H246	screw, 8-32 x 3/8" SHCS, alloy, Black	4	\$0.99 ea
66	P758	vac tank, firebird	1	\$186.99 ea
67	H314	nut, lock, 1-1/2", steel	1	\$1.99 ea

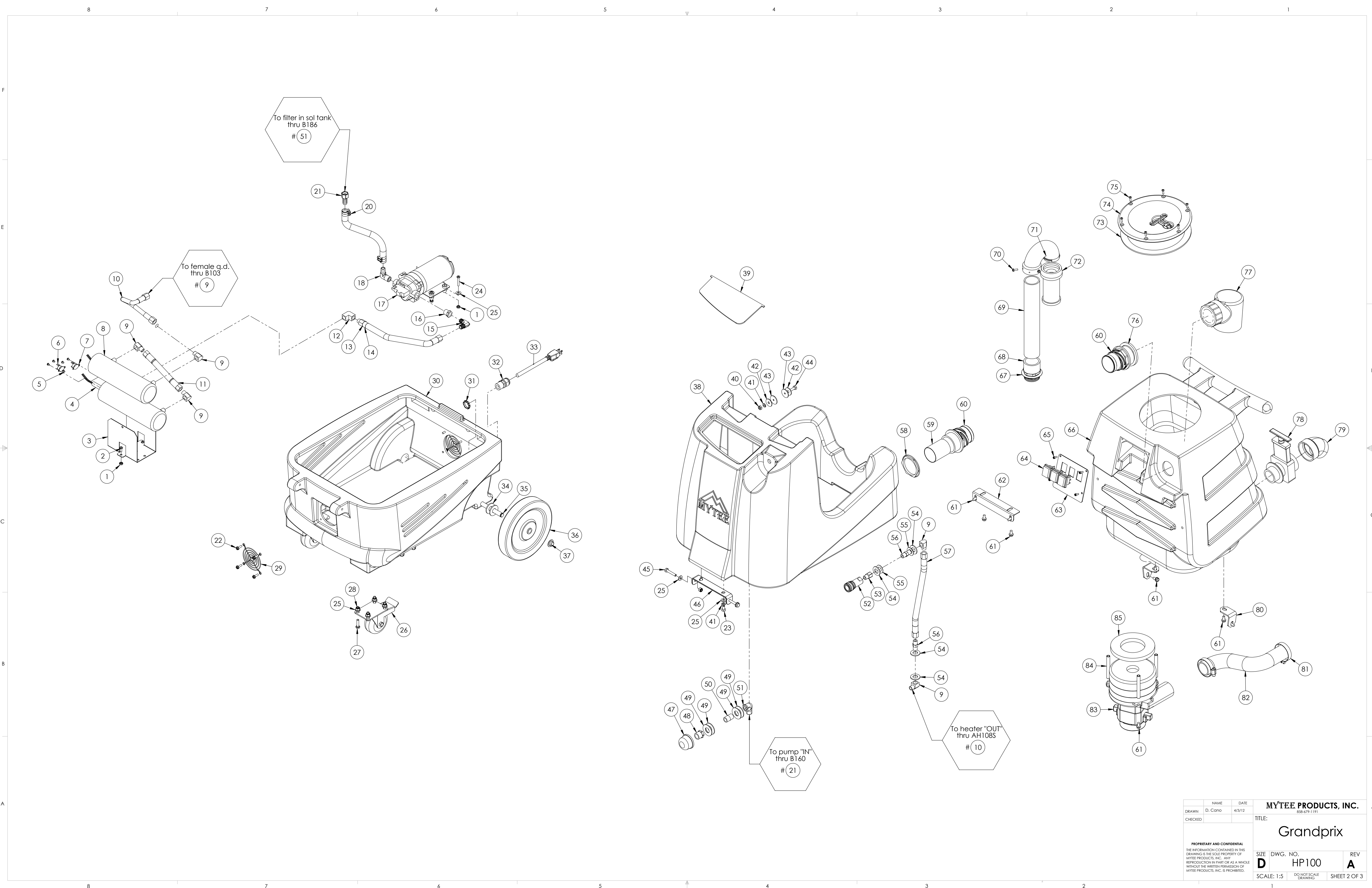
ITEM NO.	PART NO.	DESCRIPTION	QTY.	MSRP
68	P520	adapter, pvc, 1-1/2" mpt x 1-1/2" fms	1	\$2.99 ea
69	PH633-11	pipe, pvc, 1-1/2"	1	\$4.99/ft
70	H297	screw, 8 x 1/2", hex head, zinc	3	\$0.99 ea
71	P755	elbow, U, 180, 1-1/2", float	1	\$8.99 ea
72	H235	float, 1.5", ball style	1	\$19.99 ea
73	G091	gasket, 7", vac lid	1	\$11.99 ea
74	G090	lid, vac tank, clear, 7"	1	\$36.99 ea
75	H304	screw, #8 x 5/8 phil oval, s/s	6	\$0.99 ea
76	G083	gasket, 2" inlet	1	\$2.49 ea
77	A926	elbow, inlet assembly 2"	1	\$15.99 ea
78	H225	valve, drain, 1-1/2"	1	\$20.99 ea
79	H226	spout, drain, 45 degree	1	\$3.19 ea
80	H390A	bracket, "L"	2	\$6.99 ea
81	H217	clamp, hose, 2-1/4 dia	2	\$1.49 ea
82	PH627	vac hose, 1-1/2", wire reinforced	1	\$6.49 ea
83	C302LA	vac motor, 3 stage, low amp	1	\$139.99 ea
84	H503	vac support, 3 stage, 3.25", no thrds	3	\$3.99 ea
85	G004	gasket, vacuum motor	1	\$8.99 ea

**ITEMS NOT SHOWN:**

PART NO.	DESCRIPTION	QTY.	MSRP
ADM-HP100	manual, spyder	1	N/A
AD127	stop sign, register your product	1	N/A
A935	sol hose, pig tail, 1/8" x 7 1/2'	1	\$14.99 ea
A942	sol hose, 1/4" x 16', 3000 psi	1	\$71.99 ea
B101	quick disconnect, male, 1/4" male x 1/4" fpt	2	\$8.49 ea
B102	quick disconnect, 1/4" female x 1/4" fpt	1	\$17.99 ea
G008	piglet filter	1	\$6.29 pak
G085	gasket, strip, 3/4" x 36" x 1/8"	1	\$4.99 ea
G147	strap, velcro, w/buckle	5	\$3.49 ea
H230	screw, 10-32 x 1/2" phil pan head, s/s	4	\$0.99 ea
H282	tool, upholstery, s/s w/valve	1	\$98.99 ea
H375	hanger, wire formed, hose	1	\$10.99 ea
H701	hose, vac, 15' x 1-1/4" w/1-1/2" black cuffs	1	\$44.99 ea
H122	Cuff-Lynx, 1.25" hose cuff x 2" female cuff	1	\$3.99 ea

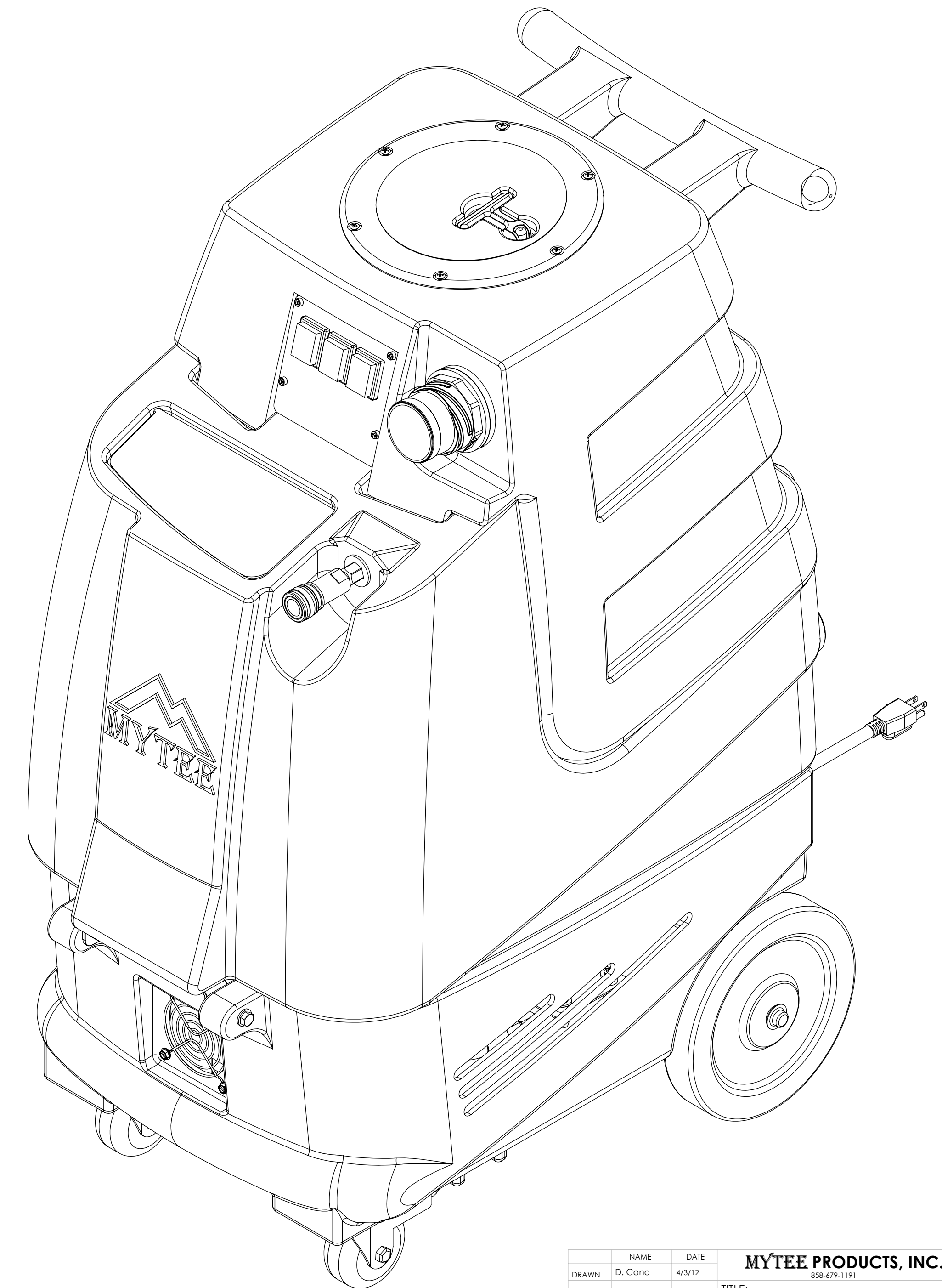


NAME	DATE	<b>MYTEE PRODUCTS, INC.</b> <small>858-679-1191</small>
DRAWN D. Cano	4/3/12	
CHECKED		TITLE: <b>Grandprix</b>
<small>PROPRIETARY AND CONFIDENTIAL          THE INFORMATION CONTAINED IN THIS DRAWING IS THE SOLE PROPERTY OF MYTEE PRODUCTS, INC. ANY REPRODUCTION IN PART OR AS A WHOLE WITHOUT THE WRITTEN PERMISSION OF MYTEE PRODUCTS, INC. IS PROHIBITED.</small>		SIZE DWG. NO. REV <b>D</b> HP100 <b>A</b>
SCALE: 1:3		DO NOT SCALE DRAWING SHEET 1 OF 3



NAME	DATE	<b>MYTEE PRODUCTS, INC.</b> <small>850-679-1191</small>
DRAWN D. Cano	4/3/12	
CHECKED		TITLE: <b>Grandprix</b>
<small>PROPRIETARY AND CONFIDENTIAL          THE INFORMATION CONTAINED IN THIS DRAWING IS THE SOLE PROPERTY OF MYTEE PRODUCTS, INC. ANY REPRODUCTION IN PART OR AS A WHOLE WITHOUT THE WRITTEN PERMISSION OF MYTEE PRODUCTS, INC. IS PROHIBITED.</small>		SIZE DWG. NO. REV <b>D</b> HP100 <b>A</b>
SCALE: 1:5		DO NOT SCALE DRAWING SHEET 2 OF 3

REVISIONS			
REV.	DESCRIPTION	DATE	APPROVED
OD	ORIGINAL DRAFT	-	JFL
A	REPLACED H033 W H342, ADDED H210 & H216	10/8/2013	JFL



NAME	DATE	<b>MYTEE PRODUCTS, INC.</b> 850-679-1191	
DRAWN D. Cano	4/3/12	TITLE: <b>Grandprix</b>	
CHECKED		SIZE	DWG. NO.
<small>           PROPRIETARY AND CONFIDENTIAL            THE INFORMATION CONTAINED IN THIS            DRAWING IS THE SOLE PROPERTY OF            MYTEE PRODUCTS, INC. ANY            REPRODUCTION IN PART OR AS A WHOLE            WITHOUT THE WRITTEN PERMISSION OF            MYTEE PRODUCTS, INC. IS PROHIBITED.         </small>		<b>D</b>	<b>HP100</b>
		SCALE: 1:3	DO NOT SCALE DRAWING
		SHEET 3 OF 3	